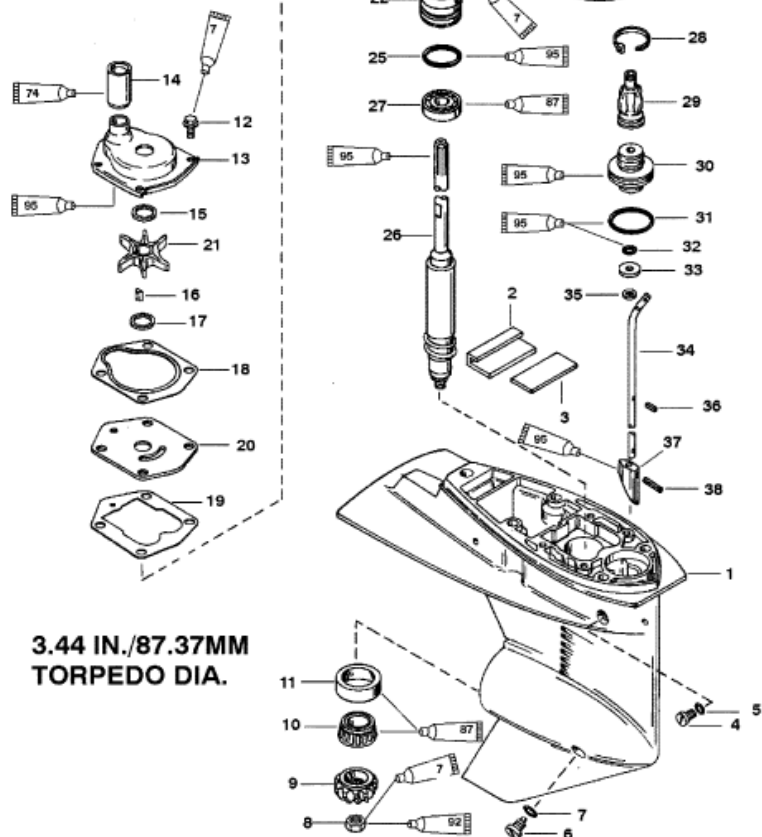


- 7** Loctite "271" Adhesive Sealant (92-809819)
- 74** Loctite "405" (Purchase Locally)
- 87** Super Duty Gear Lubricant (92-13783A24)
- 92** Loctite Primer "N" (92-59327-1)
- 95** 2-4-C w/Teflon (92-825407A12)



Parts List						
Ref	Class	Part	Description	Qty	Comment	Footnote
-	1682	821306T24	GEAR HOUSING	1	(1.83:1 GEAR RATIO) (BLACK)	
-	1682	821306T25	GEAR HOUSING	1	(1.83:1 GEAR RATIO) (GRAY)	
1	1682	821306T12	GEAR HOUSING	1	(BASIC) (BLACK)	
1	1682	821306T13	GEAR HOUSING	1	(BASIC) (GRAY)	
2		818226A 1	SEAL/PLATE KIT	1		
3		NSS	PLATE	1		
4	10	79953A 2	SCREW (.375-16 X .25)	1		
5	12	19183	WASHER-SEALING	1		
6	22	67892A 1	DRAIN SCREW	1	(MAGNETIC)	
7	12	19183	WASHER-SEALING	1		
8	11	55910	NUT	1		
9	43	822161 2	PINION GEAR (12 TEETH)	1	(1.83:1 GEAR RATIO)	
10	31	821321A 2	BEARING ASSEMBLY-ROLLER	1		
11		NSS	CUP	1		
12	10	824832 4	SCREW (M6 X 16)	4		
13	46	821351A 3	WATER PUMP UPPER HOUSIN	1		
14		823547 1	SEAL-WATER TUBE	1		15,18
15	12	86645 1	WASHER	1		15,18
16	28	85119	KEY	1		15,18
17	12	86645 1	WASHER	1		15,18
18	27	822189	GASKET	1		15,18
19	27	822217	GASKET (LOWER)	1		15,18
20		821354 2	FACE PLATE	1		18
21	47	85089 3	IMPELLER	1		18
22	46	821307A 2	WATER PUMP BASE ASSEMBL	1		
23	26	821309	SEAL-OIL	1		15
24	26	821310	SEAL-OIL	1		15
25	25	821308	O RING	1		15
26	45	826194A 1	DRIVESHAFT	1	(30-3/4)	
27	30	821311	BALL BEARING	1		
28		823548	CABLE TIE	1		15
29		822158	BOOT-SHIFT SHAFT	1		15
30		821827	RETAINER-SHIFT SHAFT	1		
31	25	26855	O RING	1		15
32	25	85594	O RING	1		15
33	12	814803	WASHER	1		
34		827865A 1	SHIFT SHAFT	1	(31.14)	
35	12	29245	WASHER	1		
36	17	85593	ROLL PIN	1		
37		821316 1	CAM-SHIFT	1		
38	17	822269	PIN	1		